

Dual HF

COM1 - Surface wiring
 EAN 4007841 590703
 Article number 590703



high frequency sensor 360°



max. 20 x 3 m

2000 W

max. 2000 W



IP20



ideal 2.5 - 3.5 m



indoor sensor

iQ

iQ-mode

Teach

Teach mode



energy saving

5 years

manufacturer's warranty steinel-professional.de/garantie

Function description

Twice as vigilant. High-frequency corridor sensor Presence Control PRO DUAL HF COM1 AP for indoors, ideal for passageways and long corridors, installation height up to 3.5 m, surface-mounting version for switching light 'ON' and 'OFF'. DUAL-HF technology for radial detection over 20 m in two directions, detection regardless of temperature, HF-sensor technology also detects movement through glass, wood and stud walls, light switches 'ON' almost instantly.

Technical specifications

Dimensions (L x W x H)	70 x 120 x 120 mm
Manufacturer's Warranty	5 years
Settings via	Remote control, DIP switches, Potentiometers, Smart Remote
With remote control	No
Version	COM1 - Surface wiring
PU1, EAN	4007841590703
Type	Presence detector
Application, place	Indoors
Application, room	corridor / aisle, Indoors
Colour	white
Colour, RAL	9010
Includes corner wall mount	No
Installation site	ceiling
Installation	Surface wiring, Ceiling
IP-rating	IP20

Technology, sensors	High frequency, Light sensor
Mounting height	2,50 – 3,50 m
Mounting height max.	3,50 m
Optimum mounting height	2.8 m
HF-system	5,8 GHz
Detection	also through glass, wood and stud walls
Detection angle	Aisle, 360 °
Angle of aperture	140 °
Sneak-by guard	Yes
Capability of masking out individual segments	No
Electronic scalability	Yes
Mechanical scalability	No
Reach, radial	20 x 3 m (60 m ²)
Reach, tangential	20 x 3 m (60 m ²)
Transmitter power	< 1 mW

Dual HF

COM1 - Surface wiring
 EAN 4007841 590703
 Article number 590703



Technical specifications

Ambient temperature	from -25 up to 55 °C
Material	Plastic
Mains power supply	230 V / 50 – 60 Hz
Fluorescent lamps, electronic ballast	1500 W
Fluorescent lamps, uncorrected	1000 VA
Fluorescent lamps, series-corrected	1000 VA
Fluorescent lamps, parallel-corrected	1000 VA
Switching output 1, low-voltage halogen lamps	2000 VA
LED lamps < 2 W	100 W
LED lamps > 2 W < 8 W	300 W
LED lamps > 8 W	600 W
Capacitive load in µF	176 µF

Functions	Normal / test mode, Semi-/fully automatic, Pushbutton / switch mode, Manual ON / ON-OFF
Twilight setting	10 – 1000 lx
Time setting	30 s – 30 Min.
Basic light level function	No
Main light adjustable	No
Twilight setting TEACH	Yes
Constant-lighting control	No
Interconnection	Yes
Type of interconnection	Master/master, Master/slave
Interconnection via	Cable
Product category	Presence detector

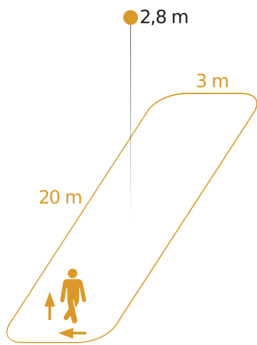
Accessories

EAN 4007841 003036	Control PRO guard cage
EAN 4007841 000363	Surface-mounted adapter Control Pro IP54
EAN 4007841 009151	Remote control Smart Remote
EAN 4007841 559410	Service remote control RC8

Dual HF

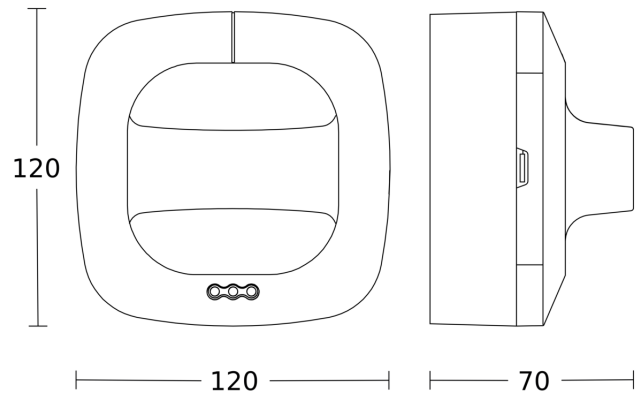
COM1 - Surface wiring
EAN 4007841 590703
Article number 590703

Detection Zone

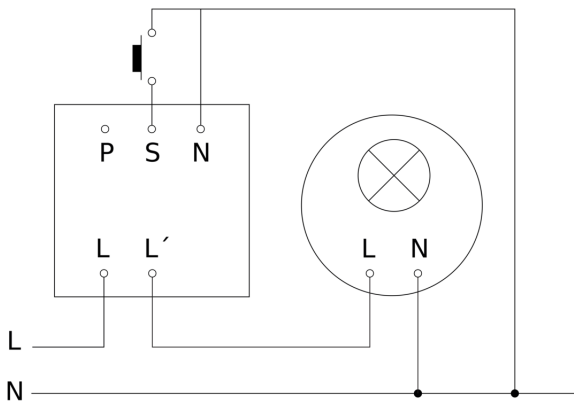


Possible mounting height: 2,50 m - 3,50 m
Orange: radial and tangential

Dimension Drawing



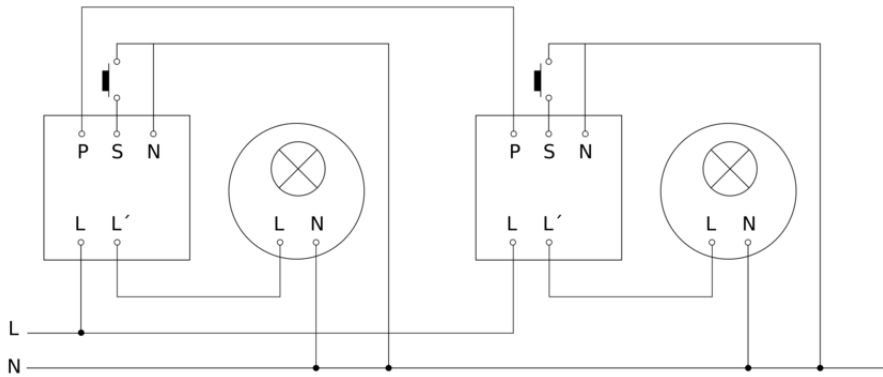
Master circuit diagram



Dual HF

COM1 - Surface wiring
EAN 4007841 590703
Article number 590703

Master/master interconnection circuit diagram



Master/slave interconnection circuit diagram

